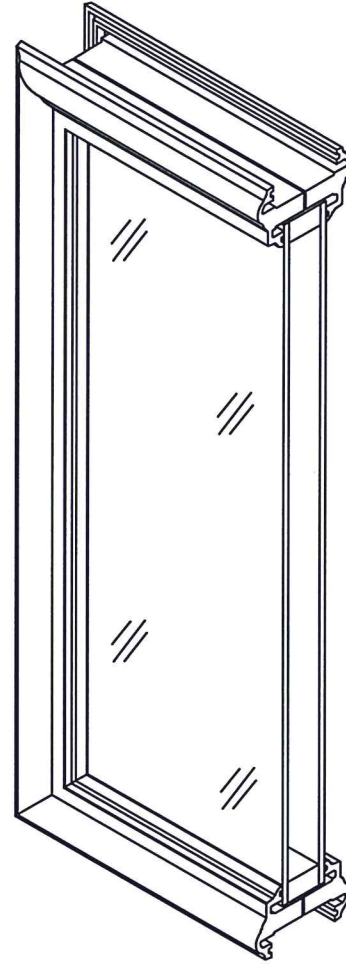


\\dc01\rbcb\Clients\ODL, Inc. PERMANENTA - Florida Product Approvals\FL-15260 Exterior Door Components - Lite Frame Inserts\C - Drawings\FL 15260 (2020) R9\VL-15260.14.dwg



215 EAST ROOSEVELT AVE.
ZEELAND, MI 49464

ODL / WESTERN REFLECTIONS SMART FRAME DOOR GLASS ASSEMBLY FOR GLAZING UP TO A 3'0 x 8'0 SINGLE PANEL "NON-IMPACT"



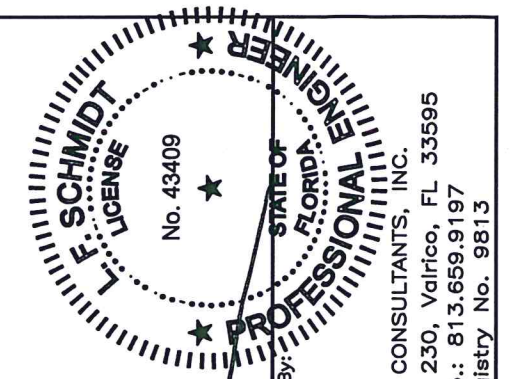
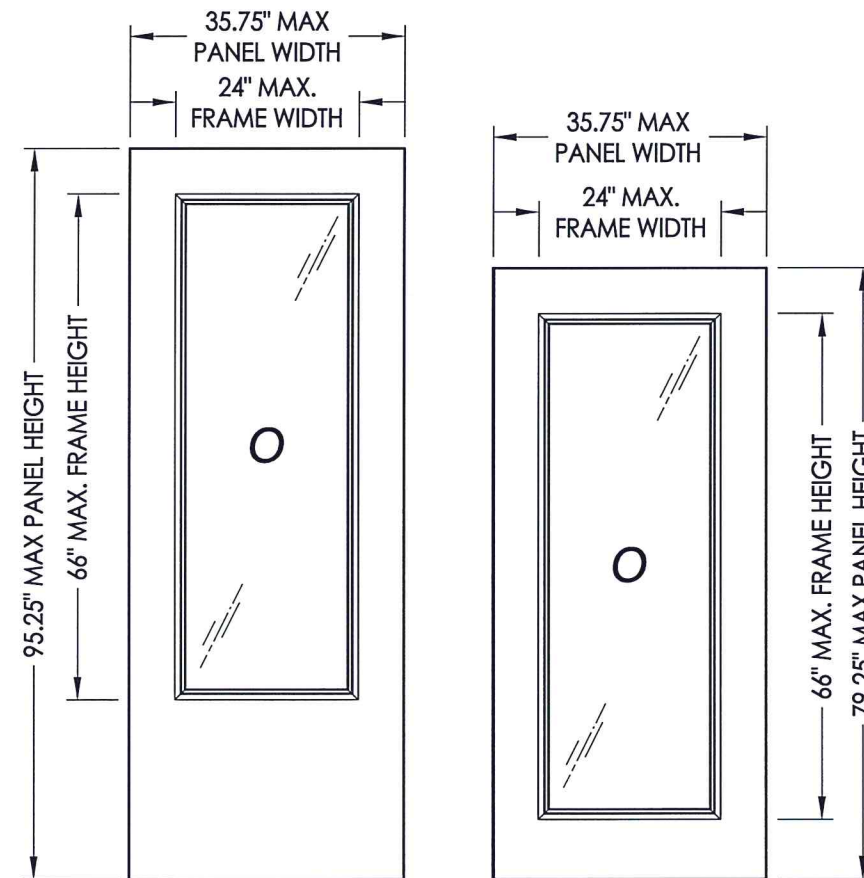
SMART FRAME DOORGLASS ASSEMBLY

SMART FRAME DESIGN PRESSURE RATING (PSF)		
GLAZING TYPE	POSITIVE	NEGATIVE
1" INSUL. TEMPERED	+60.0	-60.0

GENERAL NOTES

1. This product has been evaluated and is in compliance with the 7th Edition (2020) Florida Building Code (FBC) structural requirements including the High Velocity Hurricane Zone (HVHZ).
2. When used in the "HVHZ" this product is required to be protected with an impact resistant covering that complies with Section 1626 of the FBC.
3. This product is approved for use as a substitute doorglass assembly in conjunction with a glazed steel or fiberglass side hinged swing door and/or fixed sidelite possessing a comparable current Florida Statewide product approval.
4. The design pressure (DP) rating shall be the lesser of the DP rating shown on sheet 1 of this approval or the DP rating shown in the glazed steel or fiberglass side hinged swing door or fixed sidelite approval being used.
5. The door panel and lite opening size shall not exceed the sizes shown in this approval or the glazed steel or fiberglass side hinged swing door or fixed sidelite approval being used.
6. This product has been tested in the door and/or sidelite panels as specified on sheets 3 & 4 of this approval. Substitution into a similar product may be approved for use by the local Authority Having Jurisdiction. In all cases, the glazed steel or fiberglass door and/or sidelite used must possess a comparable current Florida Statewide product approval.

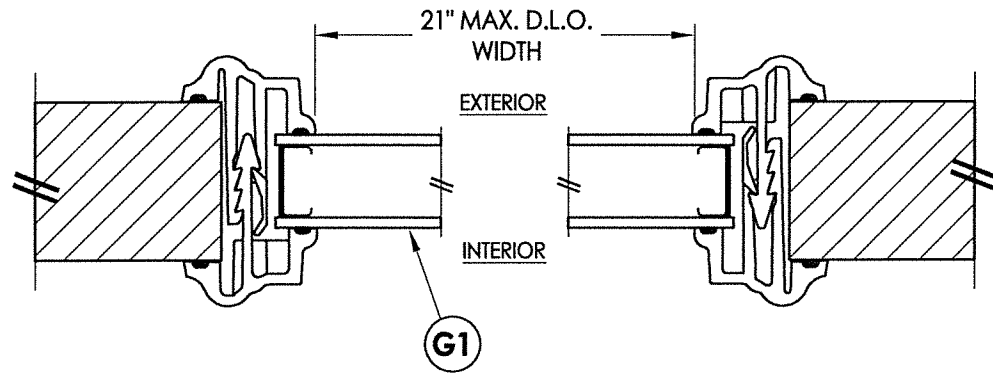
TABLE OF CONTENTS	
SHEET #	DESCRIPTION
1	Typical elevations, design pressures and general notes
2	Cross sections and glazing details
3	Fiberglass door panels
4	Steel door panels



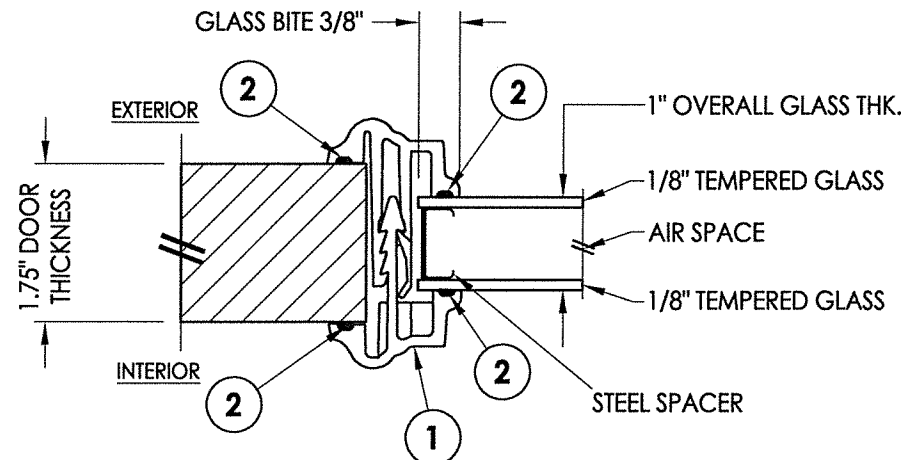
LF
August 07, 2020
Documents Prepared By:
Lyndon F. Schmidt
P.E. No. 43409

RW
BUILDING CONSULTANTS, INC.
P.O. Box 230, Vairico, FL 33595
Phone No.: 813.659.9197
FBPE Registry No. 9813

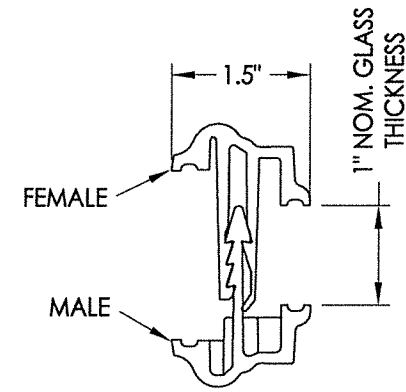
PRODUCT: SMART FRAME		PART OR ASSEMBLY:	
TYPICAL ELEVATIONS, DESIGN PRESSURES & GENERAL NOTES		REVISIONS	
		DAC	BY
		LFS	JK
3	8/05/20	UPDATE TO 6TH ED. (2017) FBC	
2	10/10/18	ADD SMART FRAME DETAILS	
1	9/26/17	UPDATE TO 6TH ED. (2017) FBC	
	NO.	DATE	
DATE: 3/31/15			
SCALE: N.T.S.			
DWG. BY: JK			
CHK. BY: LFS			
DRAWING NO.: FL-15260.14			
SHEET 1 OF 4			



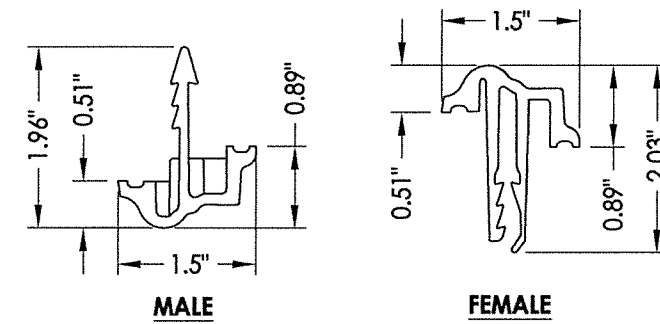
2
2 HORIZONTAL CROSS SECTION



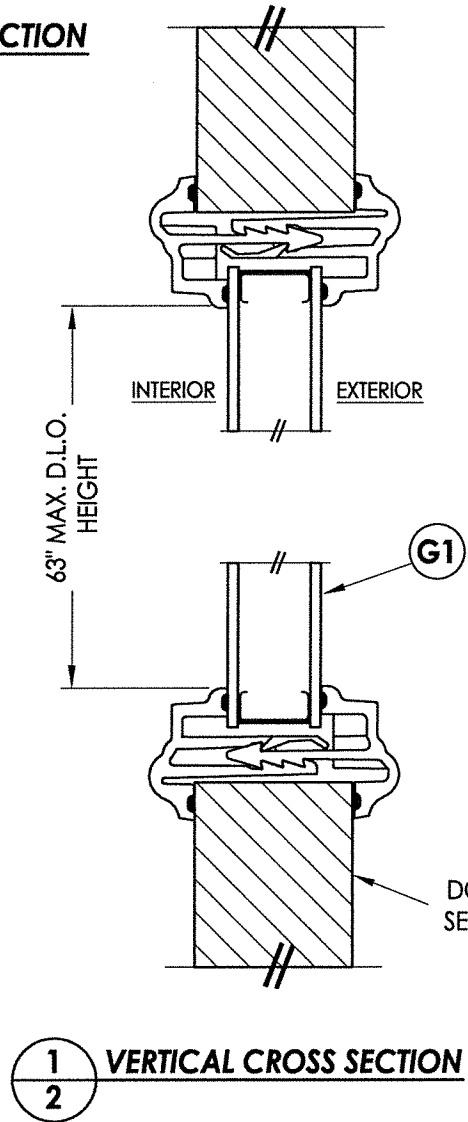
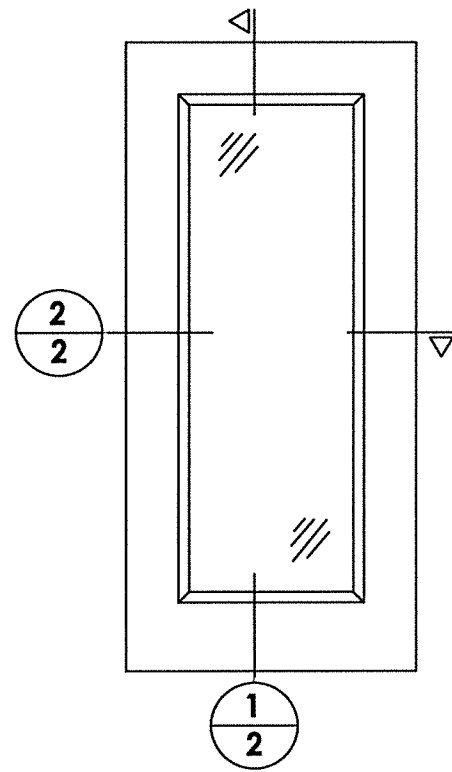
G1 GLAZING DETAIL



ODL SMART FRAME
HP POLYPROPYLENE

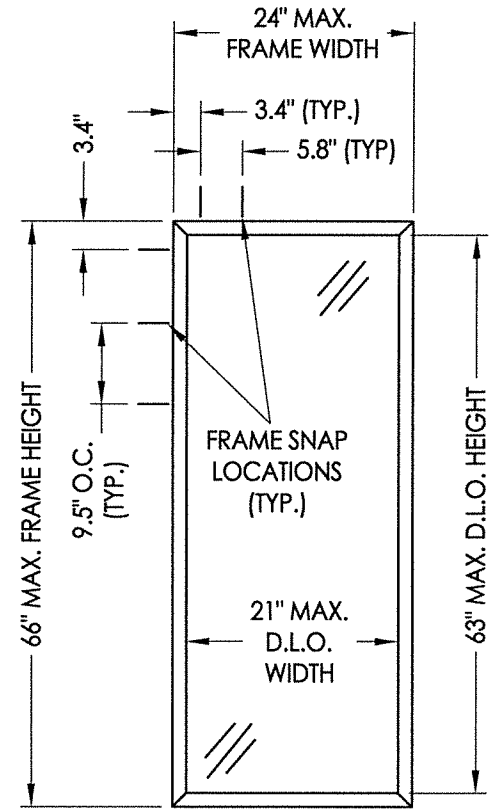


1 SMART FRAME

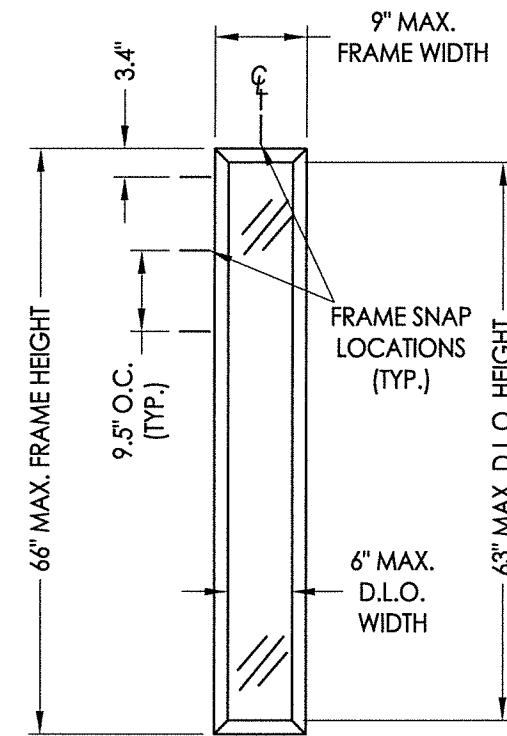


1
2 VERTICAL CROSS SECTION

DOOR PANEL UNDER SEPARATE APPROVAL (TYP.)

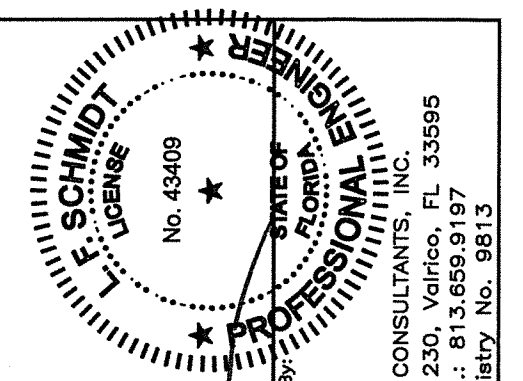


24" x 66" SMART FRAME DOORGLASS



9" x 66" SMART FRAME DOORGLASS

BILL OF MATERIALS		
ITEM #	DESCRIPTION	MATERIAL
1	ODL SMART FRAME	HP POLYPRO
2	FOAM-IN-PLACE GASKET	URETHANE

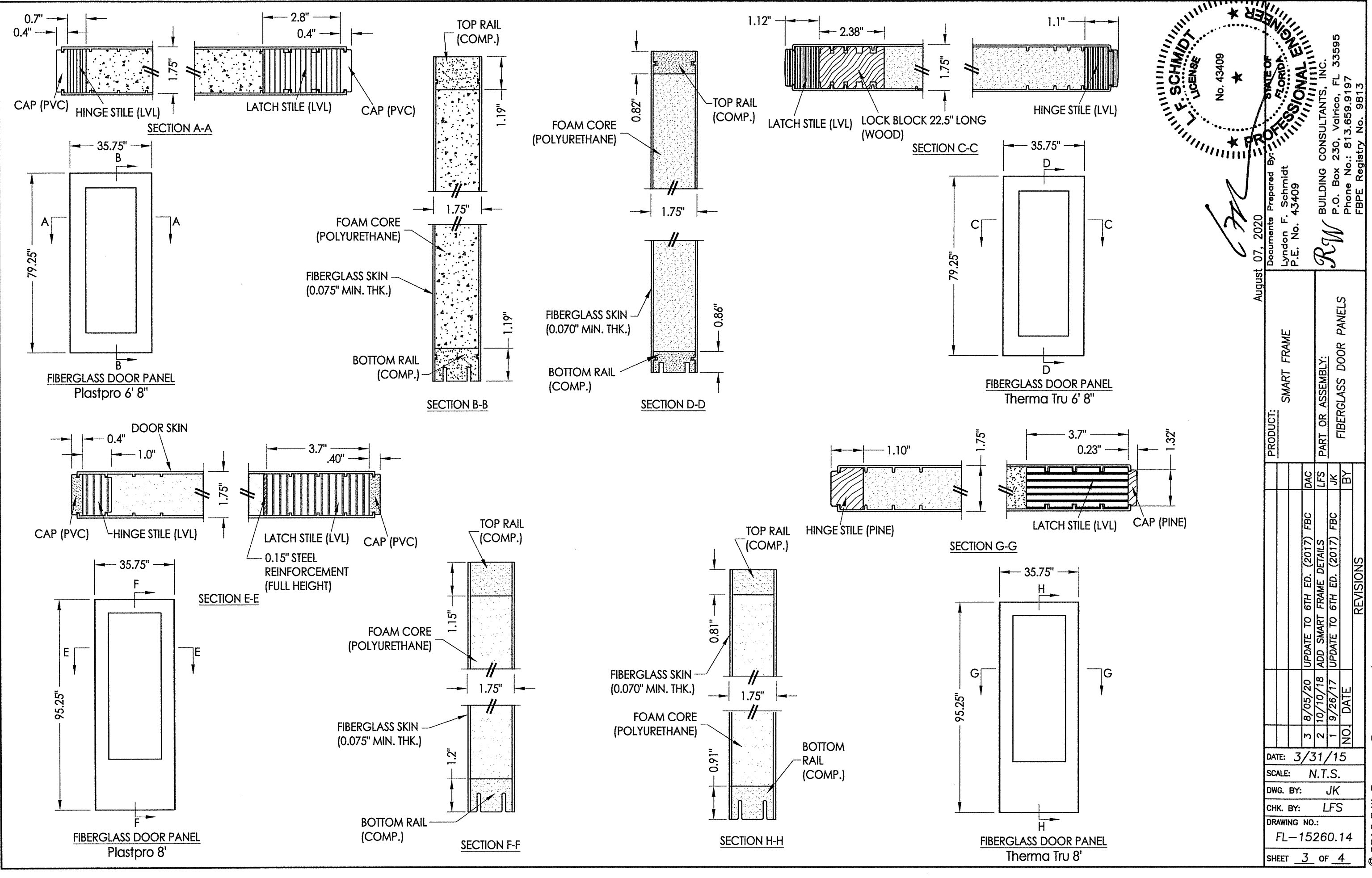


LFM

August 07, 2020
 Documents Prepared By:
 Lyndon F. Schmidt
 P.E. No. 43409
 BUILDING CONSULTANTS, INC.
 P.O. Box 230, Valrico, FL 33595
 Phone No.: 813.659.9197
 FBPE Registry No. 9813

PRODUCT:	SMART FRAME	
PART OR ASSEMBLY:	CROSS SECTIONS & GLAZING DETAILS	
NO.	DATE	REVISIONS
3	8/05/20	UPDATE TO 6TH ED. (2017) FBC
2	10/10/18	ADD SMART FRAME DETAILS
1	9/26/17	UPDATE TO 6TH ED. (2017) FBC
DATE:	3/31/15	
SCALE:	N.T.S.	
DWG. BY:	JK	
CHK. BY:	LFS	
DRAWING NO.:	FL-15260.14	
SHEET	2 OF 4	

\\dc01\wbc\Clients\ODL, Inc. PERMANENTVA - Florida Product Approvals\FL-15260 Exterior Door Components - Lite Frame InsertsC - Lite Frame InsertsC - Drawings\FL 15260 (2020) R9\FL-15260.14.dwg

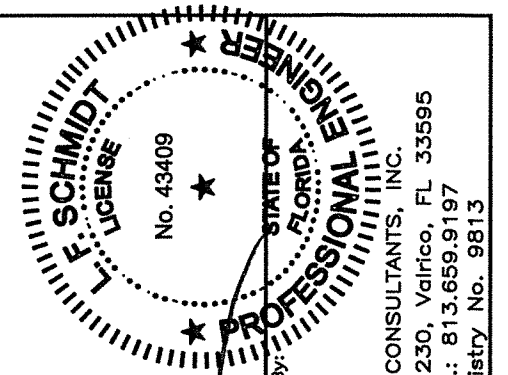
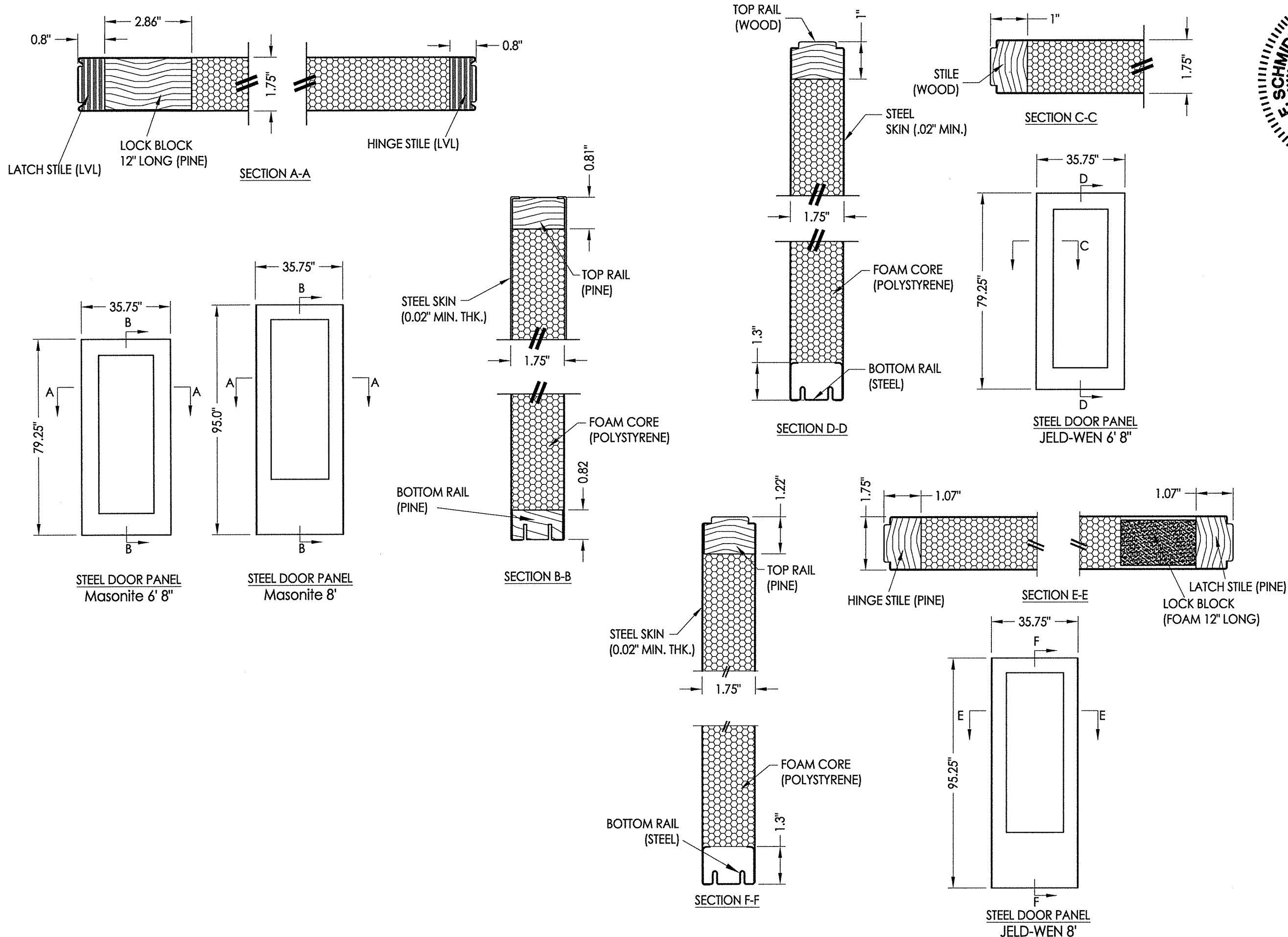


L. SCHMIDT
 LICENSE
 No. 43409
 STATE OF FLORIDA
 PROFESSIONAL ENGINEER

August 07, 2020
 Documents Prepared By:
 Lyndon F. Schmidt
 P.E. No. 43409

RW
R.W. BUILDING CONSULTANTS, INC.
 P.O. Box 230, Valrico, FL 33595
 Phone No.: 813.659.9197
 FBPE Registry No. 9813

PRODUCT: SMART FRAME		PART OR ASSEMBLY: FIBERGLASS DOOR PANELS	
NO.	DATE	BY	REVISIONS
3	8/05/20	DAC	UPDATE TO 6TH ED. (2017) FBC
2	10/10/18	LFS	ADD SMART FRAME DETAILS
1	9/26/17	JK	UPDATE TO 6TH ED. (2017) FBC
DATE: 3/31/15		SCALE: N.T.S.	
DWG. BY: JK		CHK. BY: LFS	
DRAWING NO.: FL-15260.14		SHEET 3 OF 4	



August 07, 2020
 Documents Prepared By:
 Lyndon F. Schmidt
 P.E. No. 43409

RW
 BUILDING CONSULTANTS, INC.
 P.O. Box 230, Vairico, FL 33595
 Phone No.: 813.659.9197
 FBPE Registry No. 9813

PRODUCT:		SMART FRAME	
PART OR ASSEMBLY:		STEEL DOOR PANELS	
NO.	DATE	BY	REVISIONS
3	8/05/20	DAC	UPDATE TO 6TH ED. (2017) FBC
2	10/10/18	LFS	ADD SMART FRAME DETAILS
1	9/26/17	JK	UPDATE TO 6TH ED. (2017) FBC
DATE: 3/31/15			
SCALE: N.T.S.			
DWG. BY: JK			
CHK. BY: LFS			
DRAWING NO.: FL-15260.14			
SHEET 4 OF 4			